

OPTICAL SWITCH [OSW-X-X-X-X-X-SA-X]

Fiber Products, Switches

Taikan

Description

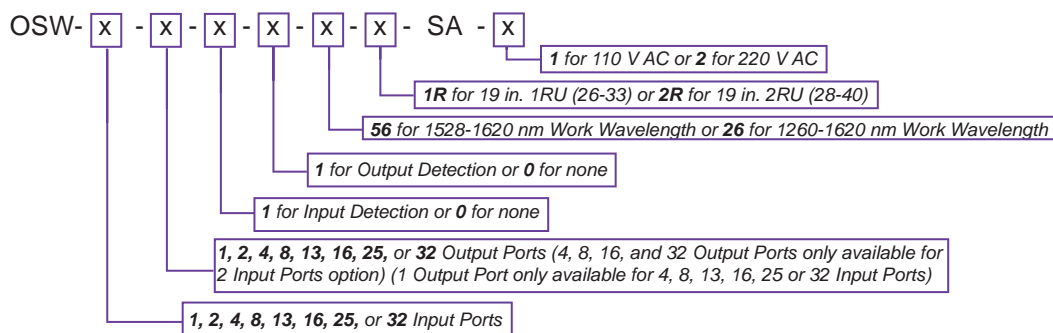
Taikan's prism optical switch can support 1, 2, 4, 8, 13, 16, 25, or 32 inputs. The one input and two input switch are available in numerous outputs while the remaining input types have one output. The optical switch also has a wide operating wavelength range, low insertion loss and rapid switching rate.

Features

- Wide Wavelength Range
- Low Insertion Loss
- Low Polarization-Dependent Loss
- Fast Switching Speed
- Low Switch Cross Talk
- SNMP Supports Remote Management and Monitoring



Ordering Information



Specifications

Wavelength Range	1528~1620 nm / 1260~1620 nm
Insertion Loss	1.6 dB
Return Loss	60 dB
Switch Cross Talk	60 dB
Polarization Dependent Loss	0.2 dB
Switching Time	20 mS
Fiber Type	9/125
Optical Connector	SC/APC

General

10/100M Ethernet Interface	RJ45
Net Working Protocol	SNMP
Communication Interface	RS232
Power Supply	110 or 220 V AC
Work Temperature	-20 to 65 °C (-4 to 149 °F)
Storage Temperature	-40 to 85 °C (-40 to 185 °F)
Operating Relative Humidity	5-95%
Dimensions	19 x 10 x 17.5 in. 11 x 14 x 3.5 in.